

The STENHØJ Mistral H25 are electro-hydraulic lifts, which are especially suitable for body work and general repair; besides also being suitable for wash and under body sealing (requires service every 3 months).

The Mistral H 25 has a lifting capacity of 2.5 t.

This lift type is very flexible:

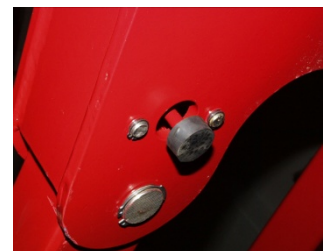
- good access to sides of vehicle
- vehicle can be placed in more than one way on the lift
- takes up very little room in the workshop
- available with either screw or combi pads



Mistral H 25 S is equipped with screw pads



Mistral H 25 C is equipped with combi pads



Automatic arm locking system.



CORROSION-PROOF SURFACE TREATMENT

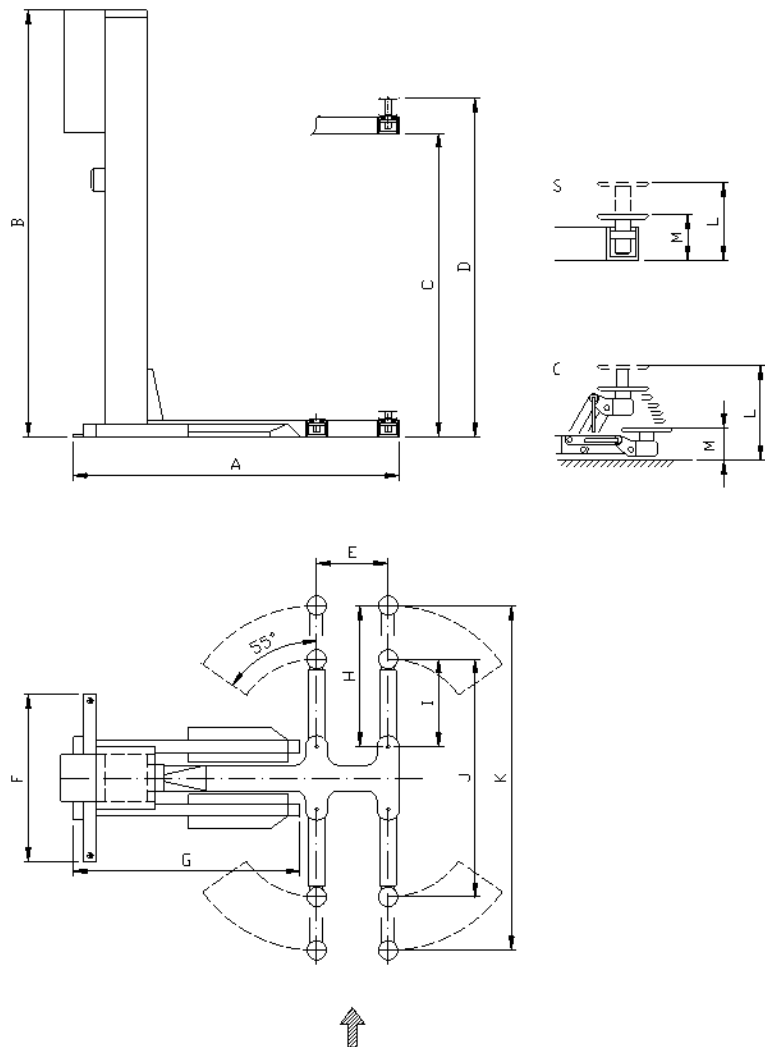
All Stenhøj lifts are led through a sling purifying plant (according to SA2.50 – ISO-Norm 8501-1:2007), dipped in primer, and finally led through an electro-static powder bake plant.

Technical data

Lifting capacity	2500 kg
Lifting/lowering time	45 sec.
Lifting height	1850 mm
Motor	1.5 kW

Controls are IP Class 54 (splash proof)

Model	A	B	C	D	E	F	G	H	I	J	K	L	M
S	2055	2675	1900	2120	450	1050	1430	885	550	1490	2160	220	115
C	2055	2675	1900	2215	450	1050	1430	975	605	1600	2340	315	105



STENHØJ
lifting the level

Stenhøj A/S
Denmark

Tel: +45 76 82 13 30
Fax: +45 76 82 13 31
Mail: info@stenhoj.dk
Web: www.stenhoj.dk

Standard colours

Red RAL 3013
White RAL 9002

No liability accepted for specifications, which are subject to alteration.