

Stenhøj Maestro 2.30 F & CF

Maestro 2.30 F & CF

Maestro 2.30 is a 2-motor, 2-post electro-mechanical lift without base frame

Stenhøj Maestro 2.30 F & CF are equipped with system against nut breakage, internal arm locking system that is automatically released in bottom position; as well as dead-man controls, separate main switch and obstruction system.

Maestro 2.30 has a lifting capacity of 3 t. The lifts are only available with portal for a total height of 4050 mm; and cannot be delivered with cables for in-ground installation.

The lifts are as standard without rubber post covers.



Maestro 2.30 F has adjustable flex pads – adjustable from 95 to 125 mm. We offer a set of pad extensions, which increases the height by 20 mm. We also offer a variety of extra flex and U-pads for this lift type.

Maestro 2.30 CF has adjustable combiflex pads – adjustable from 95 to 260 mm. We offer a variety of extra flex and U-pads for this lift type.



STENHØJ
lifting the level

Stenhøj Maestro 2.30 F & CF

General technical specifications

Stenhøj lifts are developed, manufactured and type tested in accordance with standard EN1493:2010 and the Machinery Directive 2006/42/EC. The lifts are tested for overloading with loads of 1.5 times the maximum capacity and long-term tested following a pattern of operation varying from 50 % of the lifts' capacity up to 115 % of their capacity (corresponding to 10 years' intensive workshop operation with 6 - 7 lifts per day). Approving bodies: The Danish Technological Institute, TÜV, Bureau Veritas etc.

General surface-technological data:

Stenhøj lifts are shot-blasted, de-greased, phosphate treated and powder coated. The result is a robust industrial surface protected to corrosion class C3* in accordance with EN55633.

*C3 is suitable for environments described as:

Outdoors: Urban and industrial areas with measurable sulphur dioxide pollution. Temperate coastal areas with low salt content in the atmosphere.

Indoors: Buildings for production with high atmospheric humidity and low air pollution such as food manufacturers, laundries, breweries etc.

Technical data

Lifting capacity
Lifting/lowering time
Lifting height
Min. height
Motor
Min./max. arm length

Maestro 2.30 F

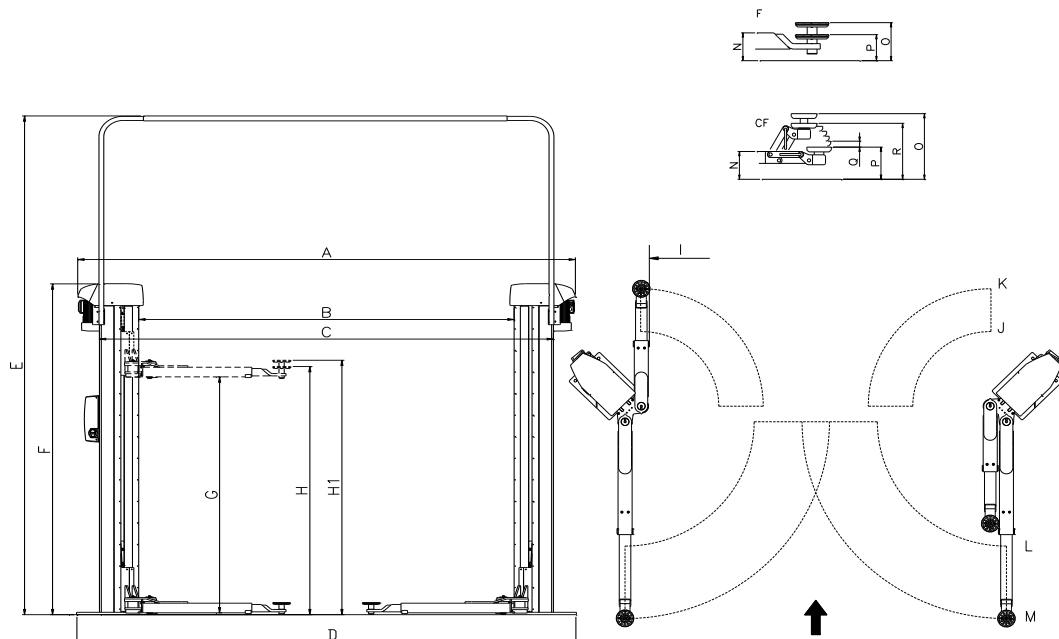
3000 kg
40 sec.
1995-2025 mm
95 mm
2x 1.5 kW
540/850 mm
900/1425 mm

Maestro 2.30 CF

3000 kg
40 sec.
1995-2160 mm
95 mm
2x 1.5 kW
580/885 mm
930/1425 mm

Model	A	B	C	D	E	F	G	H*	H1*	I	J	K	L	M	N	O	P	Q	R
F	3220-3420	2380-2580	2920-3120	3286-3486	4050	2690	1900	1995	2025	2120-2320	540	850	900	1425	100	125	95		
CF	3220-3420	2380-2580	2920-3120	3286-3486	4050	2690	1900	1995	2160	2120-2320	580	885	930	1425	95	260	95	25	225

* with standard pads!



STENHØJ
lifting the level

Stenhøj A/S
Denmark

Tel: +45 76 82 13 30
Fax: +45 76 82 13 31
Mail: info@stenhoj.dk
Web: www.stenhoj.dk

Standard colours

Red RAL 3013
White RAL 9002

No liability accepted for specifications, which are subject to alteration.