

EE-612E

SINGLE POST LIFT

MAIN FEATURES

- CE certified by SGS UK
- Mobile Positioning based on Pallet Jack System
- Electrical Safety Lock Release System
- Aluminum Motor
- Screw Action Height Adjustable Pads with clearance height ≤ 110 mm
- Powder Coated Finish
- Door Protection Pads
- ABS Control Box
- Anti-Surge Hydraulic Valve
- Hydraulic System with Fixed Pressure
- Reserved Hydraulic Connection for Optional Manual Operated Pump
- Installation and Operation Manual and Labels in Chinese, English, Spanish, German, French, Russian, Swedish (Other Languages Available Upon Request)
- Optional Texture and/or Powder Coating

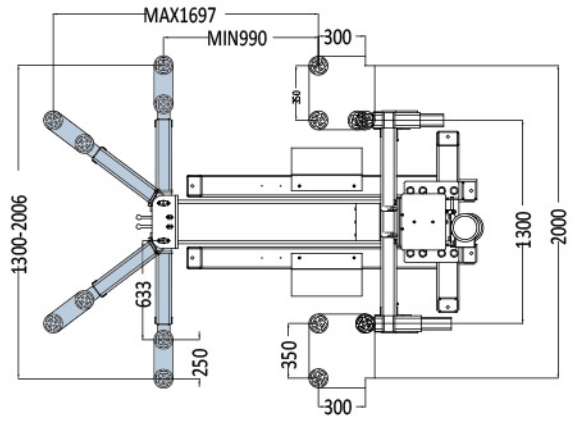
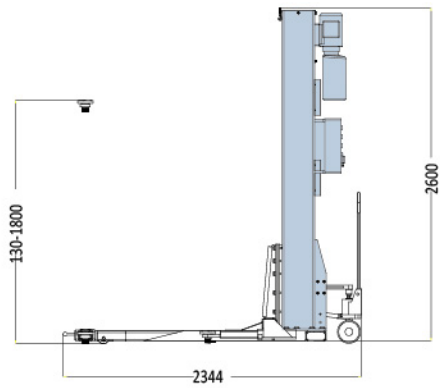
TECHNICAL DATA

MODEL NO.	EE-612E
Lifting Capacity	2,500KG
Max Lifting Height	1,800mm
Min Height	130mm
Electricity Supply	1/3ph
Motor Capacity	2.2KW
Weight	820KG
Lifting Time	50S

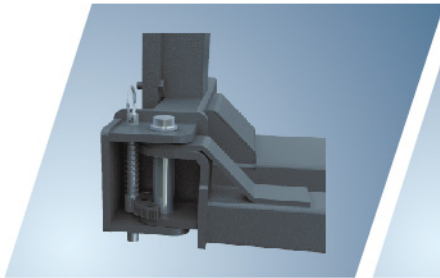


SINGLE POST LIFT EE-612E

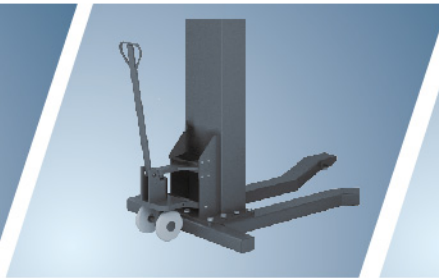
OVERALL DIMENSION



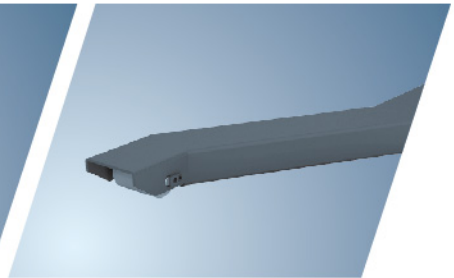
DETAIL DISPLAY



Rear lifting arm



Portable kit



Roller



Round Screw-up Lifting Pad

