

# EE-MR30

## MID-RISE SCISSOR LIFT

### MAIN FEATURES

- CE certified by SGS UK
- Mobile or Fixed Mount Design
- Pneumatic Safety Lock Release System
- Diamond Plate Surface
- Aluminum Motor
- Self-Lubricated Bushings and Bearings
- Powder Coated Finish
- ABS Control Box
- Anti-Surge Hydraulic Valve
- Hydraulic System with Fixed Pressure
- Installation and Operation Manual and Labels in Chinese, English, Spanish, German, French, Russian, Swedish (Other Languages Available Upon Request)
- Optional Fully Enclosed Metal Cabinet
- Optional Electronic Safety Lock Release
- Optional Texture and/or Powder Coating
- Optional Mobile Kit

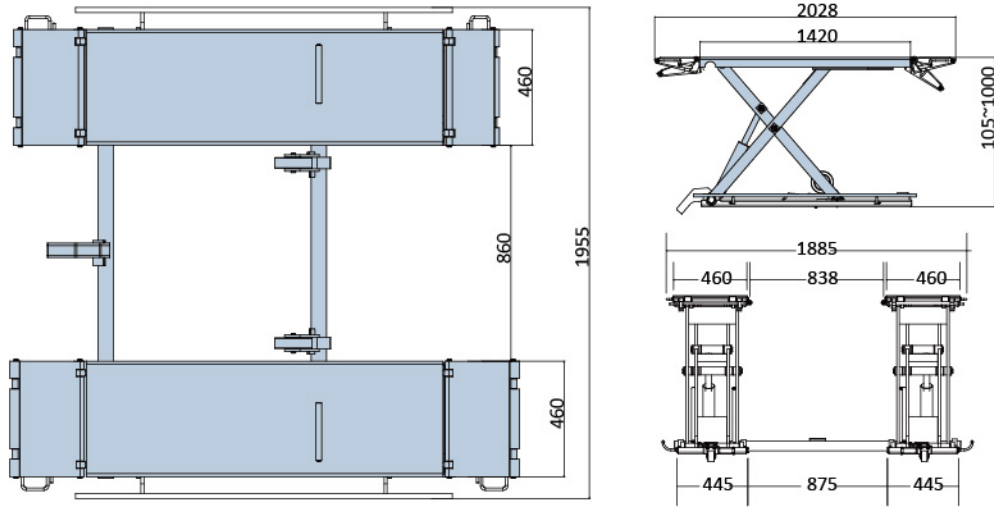
### TECHNICAL DATA

MODEL NO.	EE-MR30
Lifting capacity	3,000Kg
Max lifting height	1,000mm
Min height	105mm
Electricity supply	220V/380V,1/3PH
Air supply	6~8Kg/cm <sup>2</sup>
Lifting time	30S
Weight	500Kg

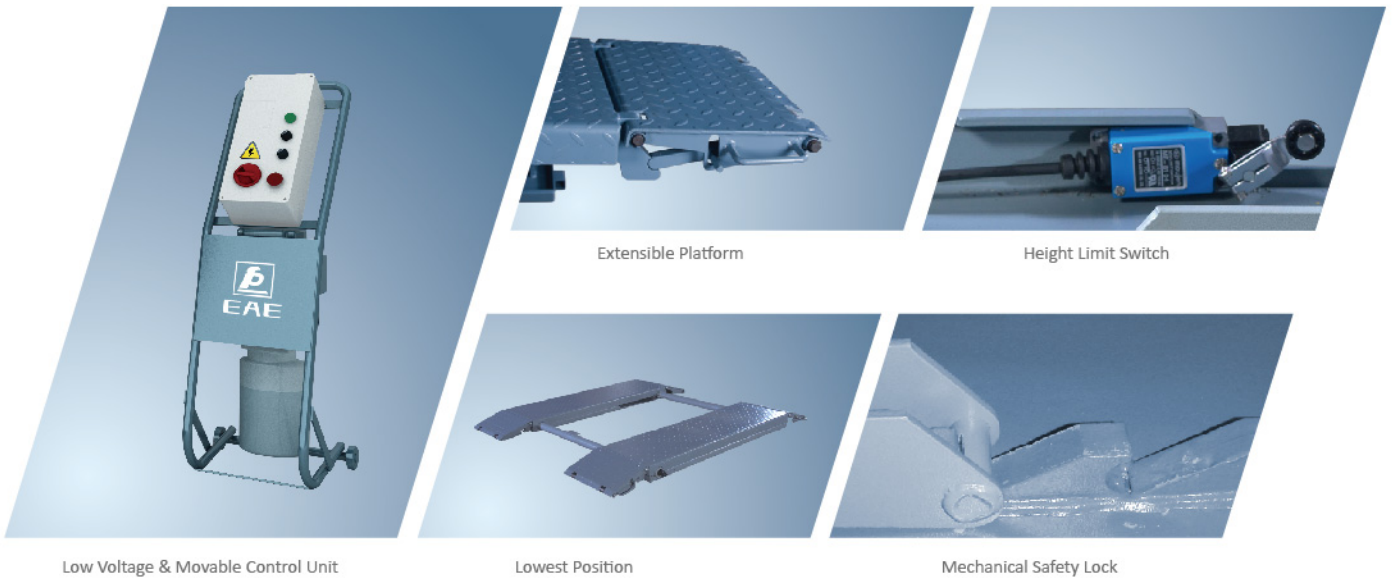


# SCISSOR LIFT EE-MR30

## OVERALL DIMENSION



## DETAIL DISPLAY



## DETAIL DISPLAY

