

# EE-6255E

5000KG FLOOR PLATE LIFT, ELECTRICAL RELEASE

## MAIN FEATURES

- CE certified by SGS UK
- Base Plate Design for Low Ceiling Application
- Electrical Safety Lock Release System
- Aluminum Motor
- Screw Action Height Adjustable Pads with clearance height  $\leq 100\text{mm}$
- Powder Coated Finish
- Rubber Door Protection Pads
- ABS Control Box
- Anti-Surge Hydraulic Valve
- Automatic Engaging Arm Locks
- Hydraulic System with Fixed Pressure
- Reserved Hydraulic Connection for Optional Manual Operated Pump
- Installation and Operation Manual and Labels in Chinese, English, Spanish, German, French, Russian, Swedish (Other Languages Available Upon Request)
- Optional Width available on request
- Optional Texture and/or Powder Coating
- Optional Pneumatic Safety Lock Release System and Air Powered Tools Distribution Block
- Optional Screw Action Height Adjustable Pad Adapters (Custom Height Available Upon Request)
- Optional Voltage and High-Output Motor and Pump Assembly available
- Optional two or four 3-stage Arms Option with Feet Protection Bar available
- Optional "Quick Arm"
- Optional low clearance 3-stage arms available with ground clearance to Pad Height  $\leq 85\text{mm}$  available

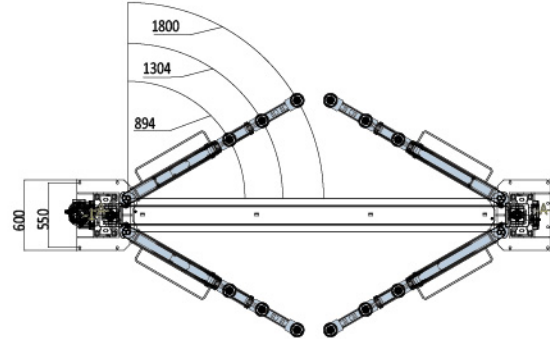
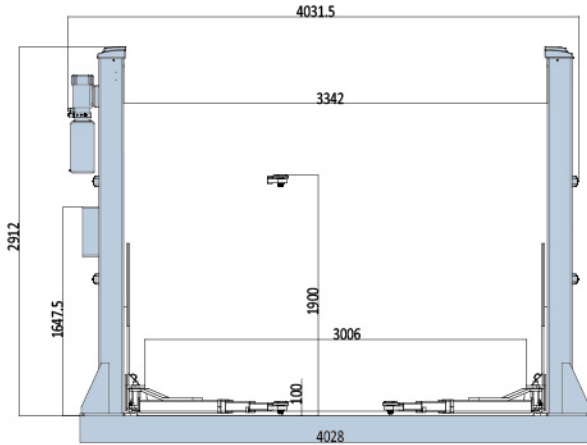
## TECHNICAL DATA

MODEL NO.	EE-6255E
Lifting capacity	5,000Kg
Max lifting height	1,900mm
Electricity supply	220V/380V 1/3 PHASE
Rated oil pressure	23Mpa
Weight	920Kg
Lifting time	55S

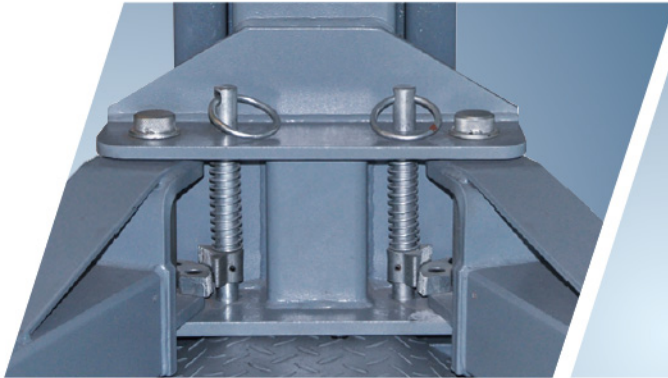


# TWO POST LIFT EE-6255E

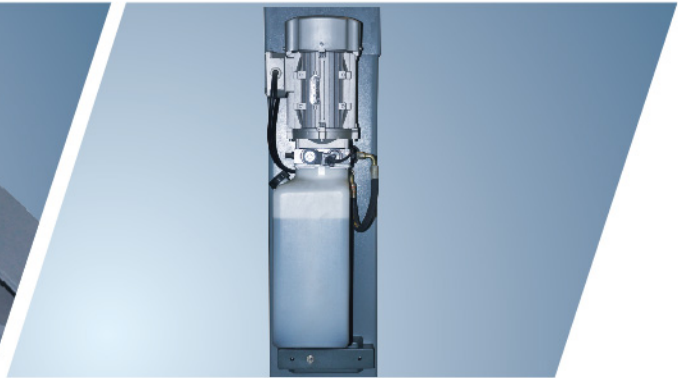
## OVERALL DIMENSION



## DETAIL DISPLAY



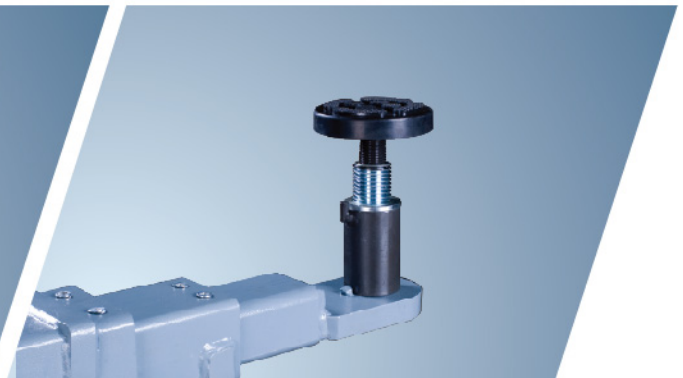
Strong Carriage and Arm Structure



Aluminum Motor



24V Control Box



Round Screw-up Lifting Pad and Triple Telescope Straight Arm